

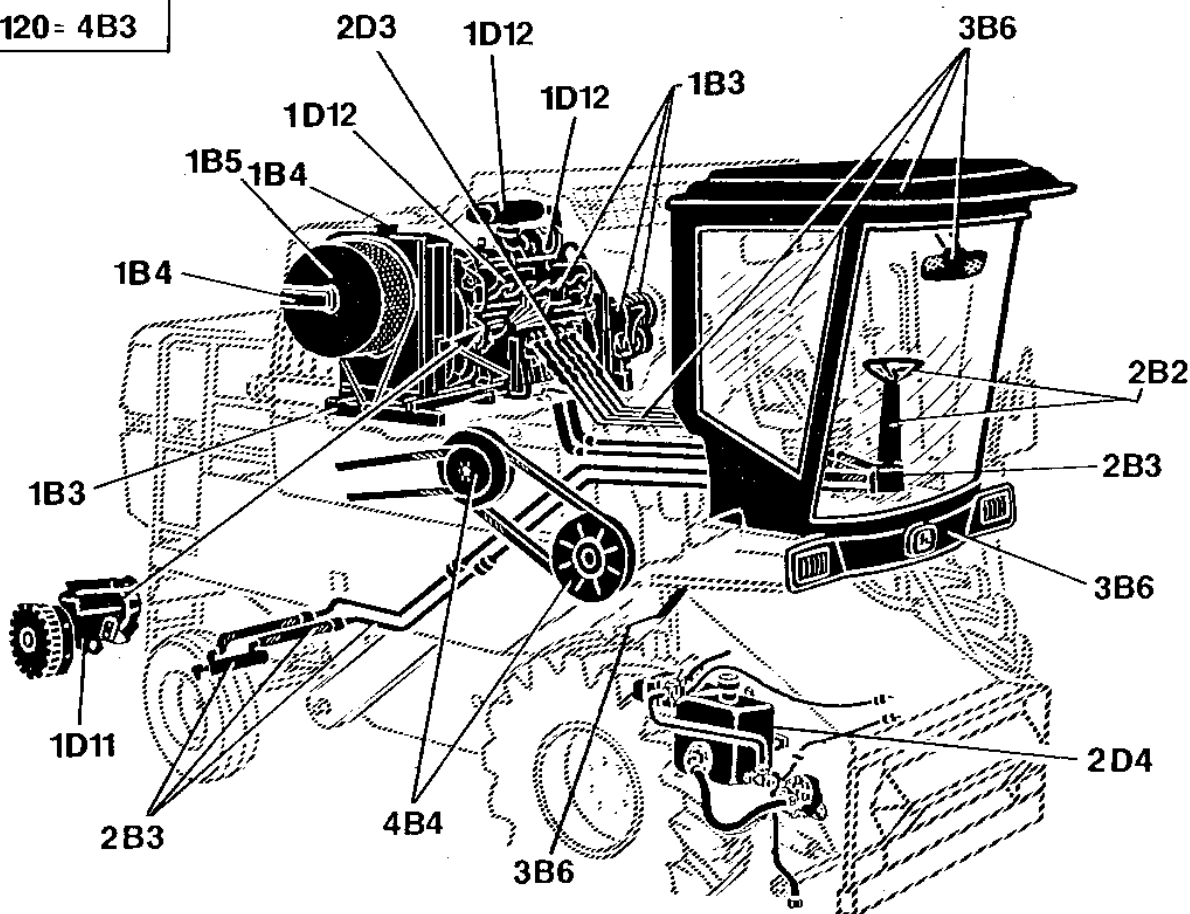
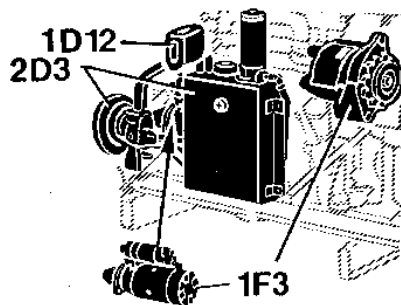
# 1A2

4425 COMBINE

## PRIMARY PICTORIAL INDEX

Z117454 -UN-01JAN94

- 20 = 1B3
- 30 = 1D11
- 40 = 1F3
- 60 = 2B2
- 70 = 2D3
- 90 = 3B3
- 120 = 4B3



Z117454

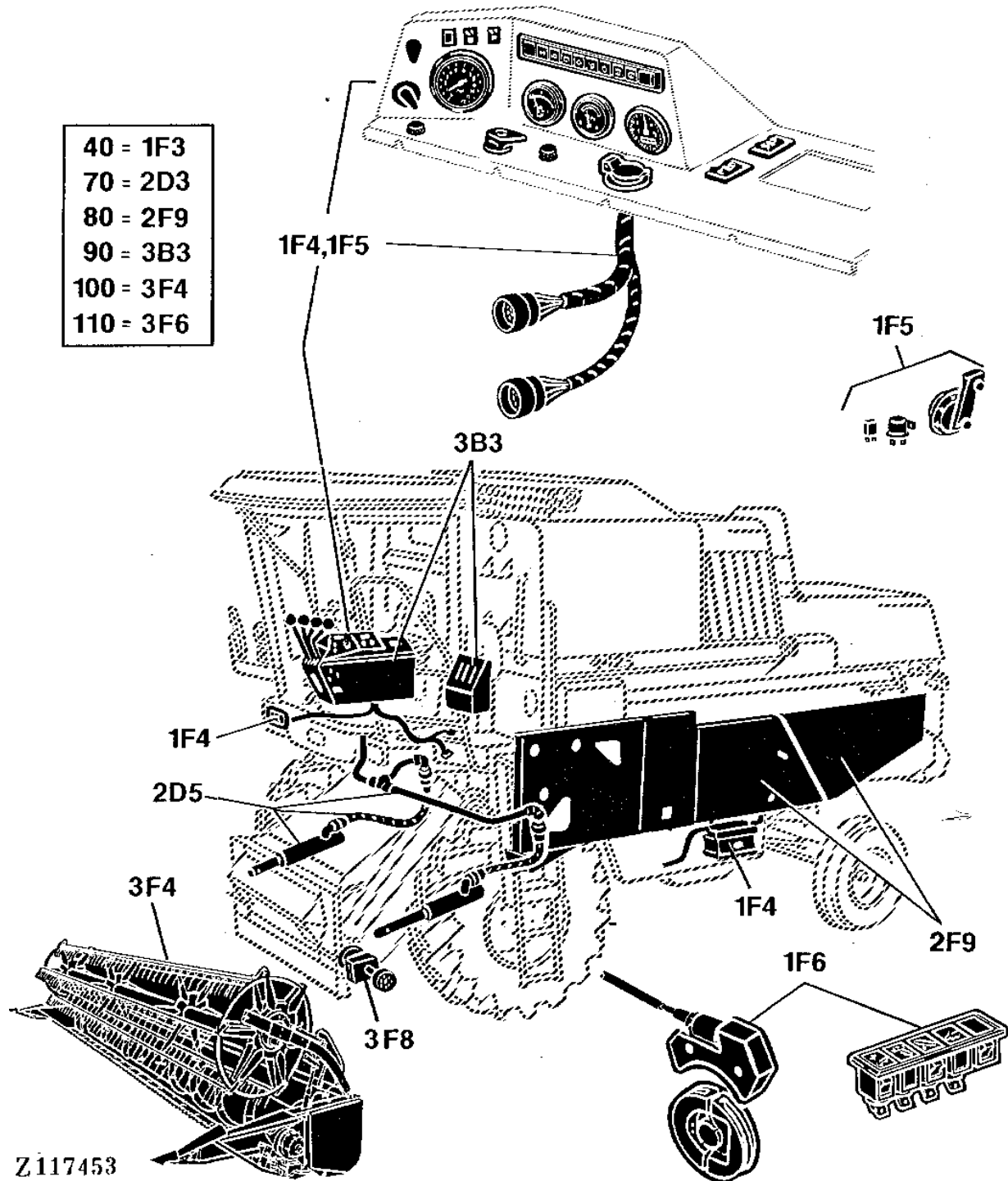
Sample manual. Download All 804 pages at:  
<https://www.bobmanualstore.com/downloads/john-deere-4425-combine-service-repair-parts-manual/>

# 1A3

4425 COMBINE

## PRIMARY PICTORIAL INDEX

Z117453 -UN-01JAN94



Sample manual. Download All 804 pages at:  
<https://www.bobmanualstore.com/downloads/john-deere-4425-combine-service-repair-parts-manual/>

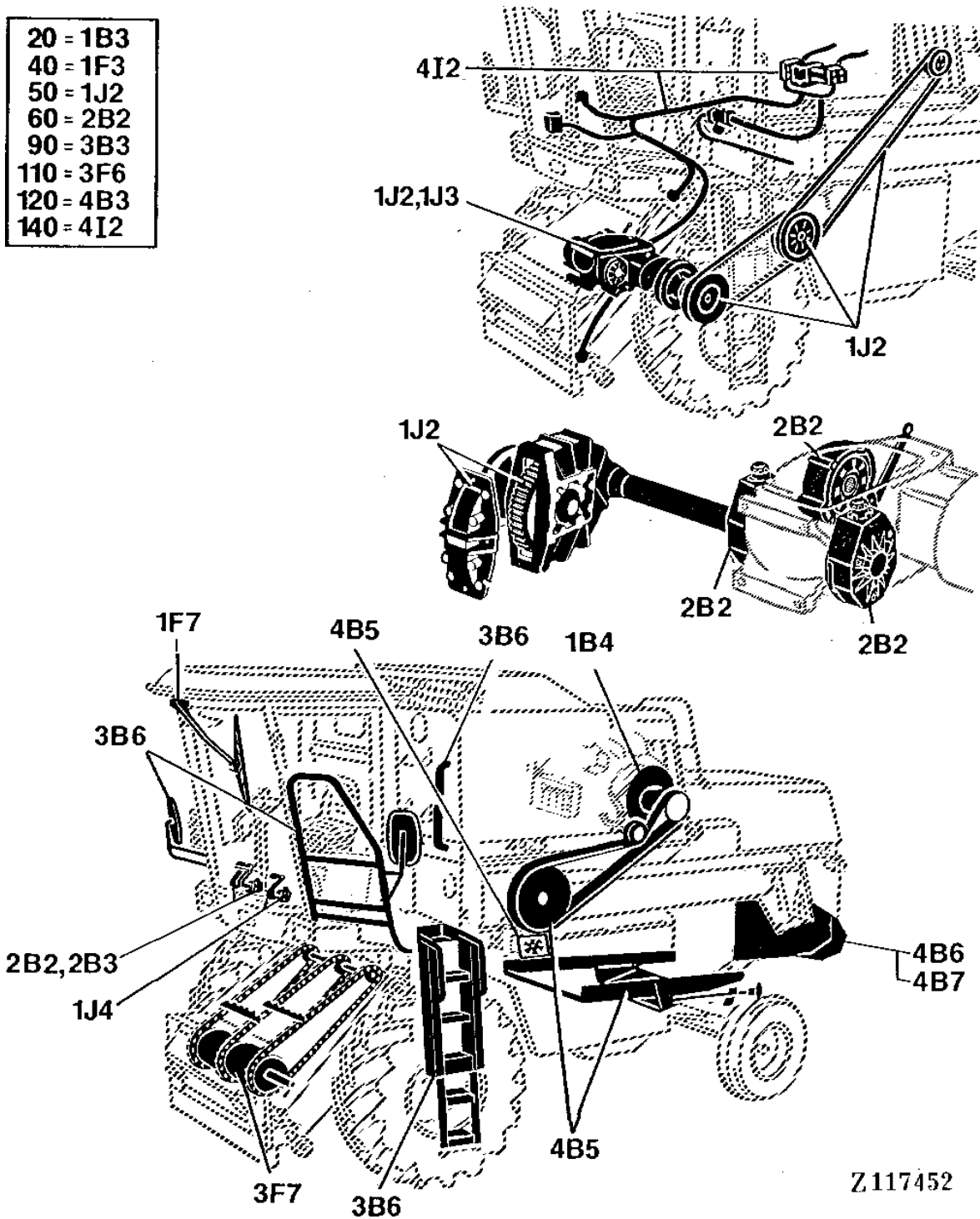
# 1A4

4425 COMBINE

## PRIMARY PICTORIAL INDEX

Z117452 -UN-01JAN94

20	= 1B3
40	= 1F3
50	= 1J2
60	= 2B2
90	= 3B3
110	= 3F6
120	= 4B3
140	= 4I2



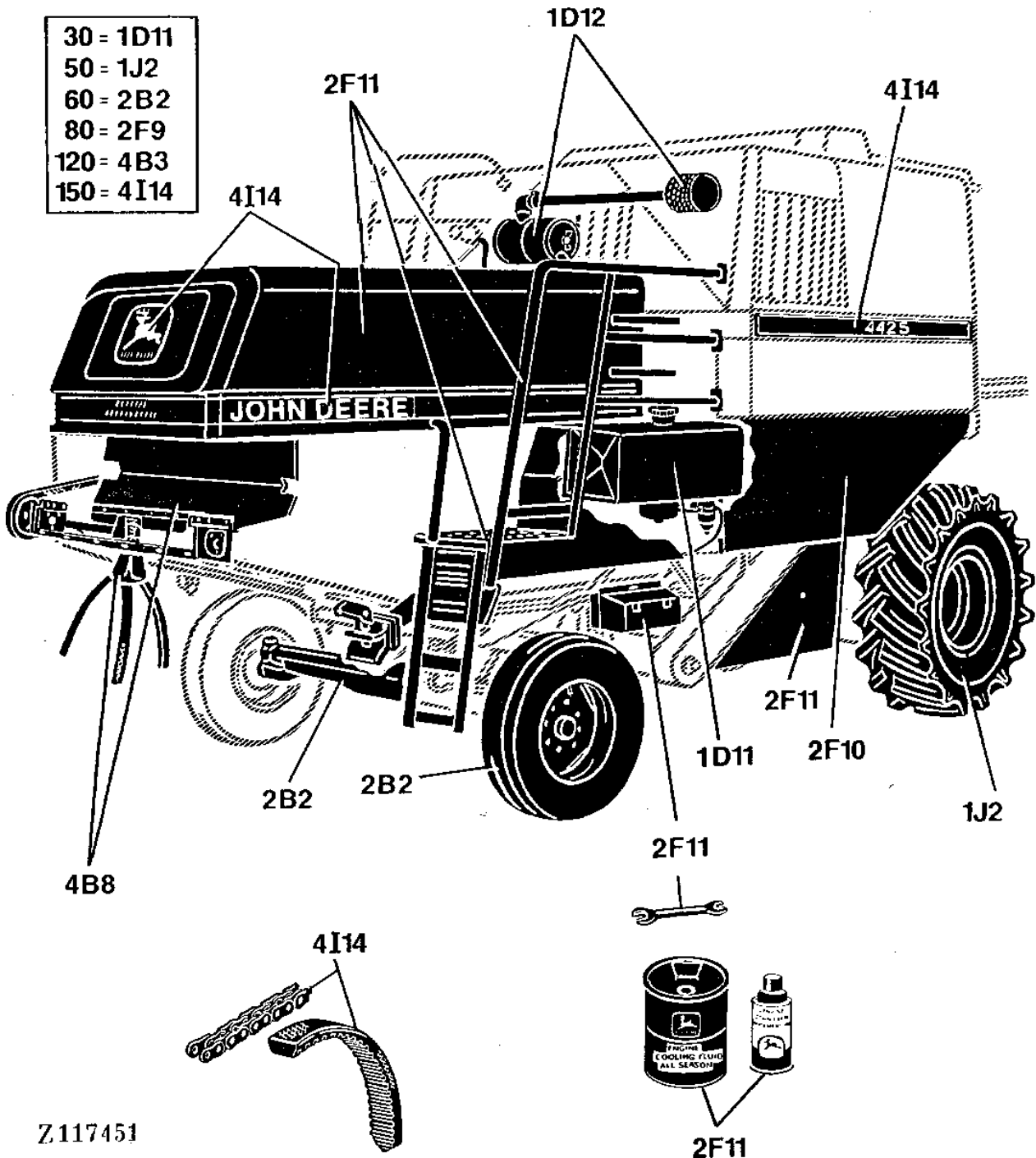
Z117452

# 1A5

4425 COMBINE

## PRIMARY PICTORIAL INDEX

Z117451 -UN-01JAN94



Z117451

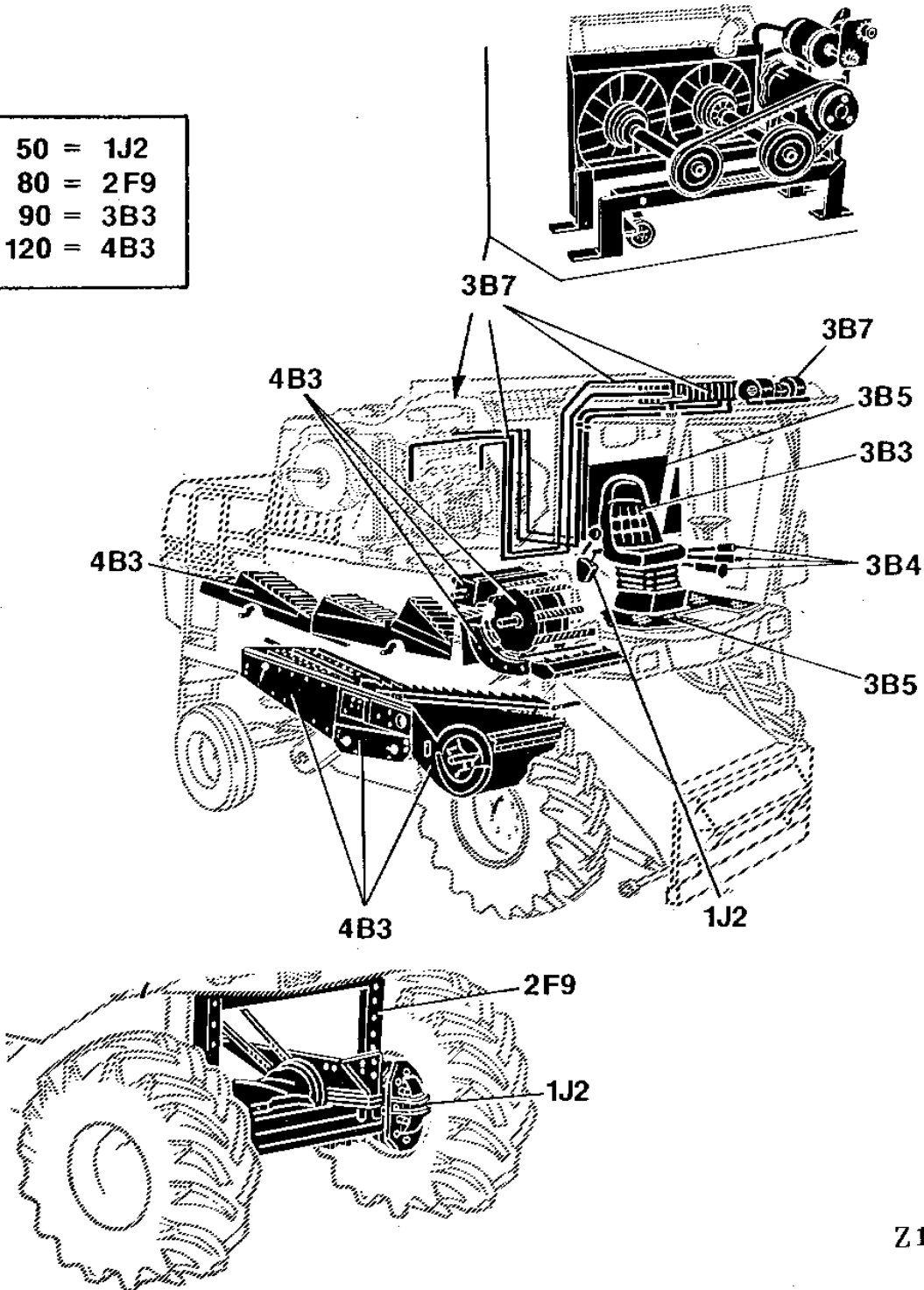
# 1A6

4425 COMBINE

## PRIMARY PICTORIAL INDEX

Z117450 -UN-01JAN94

50	=	1J2
80	=	2F9
90	=	3B3
120	=	4B3



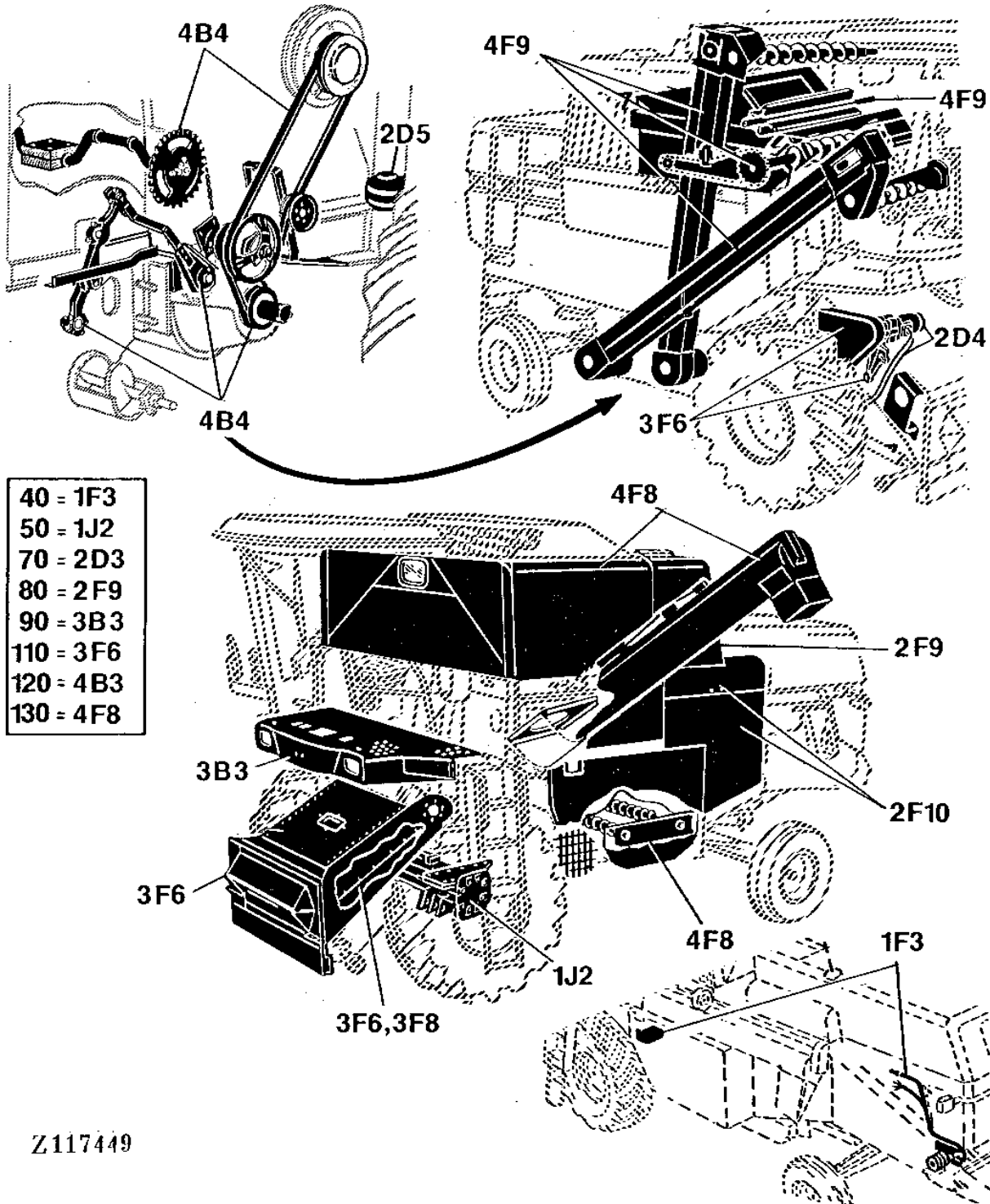
Z117450

# 1A7

4425 COMBINE

## PRIMARY PICTORIAL INDEX

Z117449 -UN-01JAN94



Z117449

# 1A8

4425 COMBINE

Z109222 -UN-01JAN94



*JOHN DEERE 4425 COMBINE WITH 454A ROW-CROP HEAD*

*(SPECIFICATIONS AND DESIGN SUBJECT TO CHANGE WITHOUT NOTICE)*

# 1A9

4425 COMBINE

---

## NOTE

FOR 200 SERIES PLATFORM PARTS INFORMATION, REFER TO JOHN DEERE 200 SERIES PLATFORM PARTS CATALOG - PC-1558.

FOR 40 SERIES CORN HEAD PARTS INFORMATION, REFER TO JOHN DEERE 40 SERIES CORN HEAD PARTS CATALOG - PC-1223.

FOR 50A SERIES ROW-CROP HEAD PARTS INFORMATION, REFER TO JOHN DEERE 50A SERIES ROW-CROP HEAD PARTS CATALOG - PC-1747.

FOR 212 TRHEE-ROLLER BELT PICKUP PARTS INFORMATION, REFER TO JOHN DEERE THREE-ROLLER BELT PICKUP PARTS CATALOG - PC-1189 (200 SERIES) OR PC-2210 (900 SERIES).

## IMPORTANT

THIS PARTS CATALOG CONTAINS PARTS INFORMATION FOR THE 4425 COMBINE. MACHINE VINTAGE IS DETERMINED BY THE COMBINE SERIAL NUMBER OR THE PRODUCT IDENTIFICATION NUMBER (PIN). IT IS IMPORTANT THAT THE CORRECT NUMBERS BE USED WHEN ORDERING PARTS.

# 1A10

4425 COMBINE

---

## SERIAL NUMBER AND PRODUCT IDENTIFICATION NUMBER (PIN) PLATES

USE ALL NUMBERS, LETTERS AND SPACES SHOWN ON THE SERIAL NUMBER PLATE OR THE PRODUCT IDENTIFICATION NUMBER PLATE IN WARRANTY CORRESPONDENCE.

### PRODUCT IDENTIFICATION NUMBER PLATE

THE PRODUCT IDENTIFICATION NUMBER PLATE (PIN) IS LOCATED ON THE RIGHT-HAND SIDE OF THE OPERATOR'S PLATFORM. AN EXAMPLE OF THIS PIN PLATE IS:

Z04425X044250

Z0 - MANUFACTURING UNIT (ZWEIBRUECKEN WORKS)  
4425 - MODEL IDENTIFIER  
X - CONFIGURATION CODE/MODEL IDENTIFIER SUFFIX  
044250 - SEQUENTIAL NUMBER USED IN SERIAL NO. COLUMN

# 1A11

4425 COMBINE

## ENGINE SERIAL NUMBER

THE ENGINE SERIAL NUMBER PLATE IS LOCATED ON THE RIGHT-HAND SIDE OF THE ENGINE BLOCK, NEAR THE MECHANICAL FUEL TRANSFER PUMP.

AN EXAMPLE OF THE ONE-LINE, SIXTEEN-DIGIT NUMBER ON THIS SERIAL NUMBER PLATE IS:

6359DZ04227799CD

6 - NUMBER OF CYLINDERS  
359 - CUBIC INCH DISPLACEMENT  
D - FUEL TYPE OF ENGINE (DIESEL)  
Z - MANUFACTURING UNIT OF MACHINE (ZWEIBRUECKEN WORKS)  
04 - ENGINE VERSION  
227799 - ENGINE SERIAL NUMBER  
CD - MANUFACTURING UNIT OF ENGINE (SARAN WORKS)

AN EXAMPLE OF THE TWO-LINE NUMBER ON THIS SERIAL NUMBER PLATE IS:

CD6359D227799  
6359DZ04

(FIRST LINE)

CD - MANUFACTURING UNIT (SARAN WORKS)  
6 - NUMBER OF CYLINDERS  
359 - CUBIC INCH DISPLACEMENT  
D - CONFIGURATION CODE/MODEL IDENTIFIER SUFFIX  
227799 - SEQUENTIAL NUMBER USED IN SERIAL NO. COLUMN

(SECOND LINE)

6 - NUMBER OF CYLINDERS  
359 - CUBIC INCH DISPLACEMENT  
D - FUEL TYPE OF ENGINE (DIESEL)  
Z - MANUFACTURING UNIT OF MACHINE (ZWEIBRUECKEN WORKS)  
04 - ENGINE VERSION

## PARTS LISTING INFORMATION

SERIAL NUMBER OR PRODUCT IDENTIFICATION NUMBER (PIN) INFORMATION SHOWS ON WHICH MACHINES A PART MAY BE USED. FOR EXAMPLE:

- THE PART CAN BE USED ON ALL MACHINES.
- 000000 THE PART CAN BE USED ON ALL MACHINES UP TO AND INCLUDING THE SERIAL NUMBER LISTED.
- 000000- THE PART CAN BE USED ON ALL MACHINES BEGINNING WITH THE SERIAL NUMBER LISTED.
- 000000-000000 THE PART CAN BE USED ON ALL MACHINES BETWEEN AND INCLUDING THE SERIAL NUMBERS LISTED.

WHEN XXXXXX'S ARE LISTED IN PLACE OF A SERIAL NUMBER, A SERIAL NUMBER CHANGE WAS MADE, BUT THE EXACT SERIAL NUMBER WAS NOT AVAILABLE WHEN THE CATALOG WAS PRINTED.

# 1A12

4425 COMBINE

## DIRECTION ARROW

ARROWS ARE USED WITH ILLUSTRATIONS TO INDICATE THE FRONT OF THE UNIT. "RIGHT-HAND" AND "LEFT-HAND" SIDES ARE DETERMINED BY FACING IN THE DIRECTION OF MACHINE FORWARD TRAVEL.

## BOX-ENCLOSED ILLUSTRATIONS

A KEY NUMBER, SHOWN IN THE PARTS LIST, IS ASSIGNED TO A BOX ENCLOSING ALL PARTS SOLD AS A SERVICE ASSEMBLY. A BOX NOT KEYED INCLUDES NON-CURRENT PARTS.

## KITS

KIT INFORMATION WILL BE FOUND IMMEDIATELY FOLLOWING THE STORY IN WHICH IT IS USED. THE ILLUSTRATION IS REPEATED WITH ONLY THE KIT PARTS CALLED OUT AND WITH ALL OTHER PARTS SHOWN IN PHANTOM FOR RELATIONSHIP.

## JDM REMANUFACTURED COMPONENTS

THE SERVICE PARTS LISTED IN THIS CATALOG ARE INTENDED FOR THE REPAIR OF ORIGINAL EQUIPMENT COMPONENTS. ALTHOUGH MOST SERVICE PARTS MAY BE USED TO REPAIR REMANUFACTURED COMPONENTS, THE REMANUFACTURED DESIGN MAY CHANGE PARTS SUFFICIENTLY SO THAT SERVICE PARTS ARE INADEQUATE OR NOT USABLE.

## BOLT AND CAP SCREW STRENGTH IDENTIFICATION

BOLTS AND CAP SCREWS REQUIRED TO HAVE HIGH-STRENGTH QUALITIES EQUIVALENT TO SAE GRADE 8 ARE IDENTIFIED THROUGHOUT THIS CATALOG BY THE DESCRIPTION HS SAE 8. ALL STANDARD BOLTS AND CAP SCREWS ARE SAE GRADE 5 OR LOWER.

## COMPLETE GOODS LISTINGS

COMPLETE GOODS ARE LISTED IN BOLD FACE TYPE. ORDER SEPARATELY. DO NOT INCLUDE ON REPLACEMENT PARTS ORDER.

## SI UNITS OF MEASURE

METRIC DIMENSIONS ARE GIVEN, WHERE APPLICABLE, THROUGHOUT THIS PARTS CATALOG.

## TRADEMARKS

THROUGHOUT THIS PARTS CATALOG, YOU WILL FIND THE FOLLOWING DEERE & COMPANY TRADEMARKS:

DIAL-A-MATIC™  
HARVESTRAK™  
POSI-TORQ™

TORQ-GARD SUPREME®  
QUIK-TATCH™

## CHANGE INDICATOR LINE (MICROFICHE CATALOGS ONLY)

CHANGES AFFECTING THE ORDERING OF PARTS ARE IDENTIFIED BY VERTICAL LINES MARKED IN THE LEFT-HAND MARGIN OF REVISED PARTS LISTING IMAGES. A LINE IS ALSO AT THE LEFT-HAND EDGE OF THE SAME PART NUMBER IN THE NUMERICAL INDEX TO SHOW THE LOCATION OF REVISED INFORMATION.

# 1A13

4425 COMBINE

---

## SECTIONAL INDEX

	SECTION
PRIMARY PICTORIAL INDEX AND GENERAL INFORMATION . . . . .	10
BASIC ENGINE . . . . .	20
FUEL AND AIR . . . . .	30
ELECTRICAL . . . . .	40
POWER TRAIN . . . . .	50
STEERING AND BRAKES . . . . .	60
HYDRAULICS . . . . .	70
SEPARATOR SHELL . . . . .	80
OPERATOR'S STATION . . . . .	90
HEADERS - REFER TO INDIVIDUAL HEADER PARTS CATALOGS . . . . .	100
FEEDER HOUSE . . . . .	110
SEPARATOR . . . . .	120
GRAIN TANK AND UNLOADING AUGER . . . . .	130
HEADER HEIGHT CONTROL . . . . .	140
DECALS, BELTS AND CHAINS . . . . .	150
NUMERICAL INDEX . . . . .	180

# 1A14

4425 COMBINE

## ALPHABETICAL INDEX

GRID		PAGE	GRID		PAGE
<b>A</b>					
2E14	ACCUMULATOR.....	70-37	3D22	CAB ROOF AIR FILTER .....	90-68
3G17	ADAPTER PLATES, PLATFORM .....	110-36	3D9	CAB ROOF SEAL.....	90-54
3C11	ADJUSTMENT INDICATOR, CONCAVE.....	90-30	1I12	CAB ROOF WIRING.....	40-80
1E3	AIR CLEANER AND AIR INTAKE TUBES .....	30-16	3D7	CAB SOUNDPROOFING .....	90-52
3F1	AIR CONDITIONING CLEANING UNIT TUBE .....	90-98	3D10	CAB SOUNDPROOFING (RIGHT-HAND) .....	90-55
3E15	AIR CONDITIONING HOSES AND COUPLERS .....	90-86	3C23	CAB WINDOWS AND MOLDINGS .....	90-44
3E22	AIR CONDITIONING SUCTION FAN DRIVE .....	90-94	1I16	CABLE CLIPS,CONNECTORS AND PLUGS .....	40-84
3D20	AIR FILTER, CAB ROOF .....	90-66	1B17	CAMSHAFT.....	20-13
3D22	AIR FILTER, CAB ROOF .....	90-68	1G1	CENTRAL ELECTRICAL HOUSING .....	40-20
1D13	AIR INTAKE MANIFOLD .....	30-2	4C18	CHAFFER .....	120-38
1E3	AIR INTAKE TUBES, AIR CLEANER .....	30-16	4E1	CHAFFER DRIVE .....	120-72
3D19	AIR OUTLET PANEL .....	90-64	4C16	CHAFFER FRAME .....	120-36
1F13	ALTERNATOR .....	40-7	3F23	CHAIN, FEEDER CONVEYOR .....	110-18
1F14	ALTERNATOR - ROBERT BOSCH (65 AMP) .....	40-8	4F24	CHAIN, TAILINGS ELEVATOR .....	130-16
1F12	ALTERNATOR ATTACHING PARTS.....	40-6	4J4	CHAINS, LEFT-HAND SIDE.....	150-15
1I7	ANTENNA .....	40-75	4I23	CHAINS, RIGHT-HAND SIDE .....	150-10
1F12	ATTACHING PARTS, ALTERNATOR .....	40-6	4J1	CHAINS, RIGHT-HAND SIDE .....	150-12
3C21	ATTACHING PARTS, CAB .....	90-42	4J3	CHAINS, RIGHT-HAND SIDE .....	150-14
4H1	AUGER, LEVELING, GRAIN TANK.....	130-44	4F10	CLEAN GRAIN AUGERS, HOUSING .....	130-2
1C6	AUXILIARY PULLEY.....	20-27	4F12	CLEAN GRAIN AUGERS, LOWER TAILINGS .....	130-4
2C11	AXLE SUPPORT AND V-SUPPORT FOR REAR AXLE ....	60-34	4F18	CLEAN GRAIN ELEVATOR DRIVE.....	130-10
2C15	AXLE, REAR.....	60-38	4F16	CLEAN GRAIN ELEVATOR, CONVEYOR CHAIN .....	130-8
			4F20	CLEAN GRAIN, ELEVATOR, UPPER.....	130-12
<b>B</b>					
1G13	BASIC WIRING HARNESS .....	40-32	2G15	CLEANING FAN AND FEEDER HOUSE GUARDS .....	80-30
1G15	BASIC WIRING HARNESS .....	40-34	2G21	CLEANING FAN GUARD, RIGHT-HAND .....	80-36
1G17	BASIC WIRING HARNESS .....	40-36	2G19	CLEANING FAN GUARDS, LEFT-HAND .....	80-34
1G19	BASIC WIRING HARNESS .....	40-38	4D12	CLEANING FAN TENSION PULLEY .....	120-57
1G21	BASIC WIRING HARNESS .....	40-40	4D13	CLEANING FAN-ADJUSTING ROD .....	120-58
1G23	BASIC WIRING HARNESS .....	40-42	4C22	CLEANING SHOE SUSPENSION .....	120-42
1F8	BATTERY AND CABLES .....	40-2	3F1	CLEANING UNIT TUBE, AIR CONDITIONING.....	90-98
2G9	BATTERY MOUNTINGS .....	80-24	1B21	CLOSING (WITHOUT OIL FILLER NECK) .....	20-17
2G11	BATTERY MOUNTINGS .....	80-26	1J24	CLUTCH .....	50-22
1C1	BEARING KIT, UNDERSIZE CRANKSHAFT .....	20-22	3E8	CLUTCH AND SERVICE VALVES, COMPRESSOR .....	90-79
1B25	BEARINGS,CRANKSHAFT.....	20-21	1J14	CLUTCH CYLINDER .....	50-11
4C2	BEATER .....	120-22	1J21	CLUTCH HOUSING, DRIVE SHEAVE .....	50-18
4C10	BEATER DRIVE .....	120-30	1J23	CLUTCH LINKAGE.....	50-21
4C4	BEATER, VARIABLE DRIVE WITH CENTER OIL SUPPLY.....	120-24	1J15	CLUTCH MASTER CYLINDER .....	50-12
2E17	BEATER, VARIABLE DRIVE WITH CENTER OIL SUPPLY, HYDRAULIC LINE .....	70-40	1J17	CLUTCH OIL LINES.....	50-14
1C11	BELTS AND FAN, WATER PUMP .....	20-32	1J13	CLUTCH PEDAL.....	50-10
4D5	BLADES, FAN SHAFT .....	120-50	1E1	COLD WEATHER STARTING AID .....	30-14
4E7	BLADES, STRAW CHOPPER .....	120-78	2H17	COMBINE MAINTENANCE PRODUCTS.....	80-56
1B8	BLOCK,CYLINDER .....	20-4	1F24	COMPRESSOR CABLES.....	40-18
1B9	BLOCK,CYLINDER .....	20-5	3E8	COMPRESSOR CLUTCH AND SERVICE VALVES.....	90-79
3F12	BOTTOM SHEET, FEEDER HOUSE.....	110-6	3E7	COMPRESSOR HARDWARE KIT .....	90-78
2B14	BRAKE CYLINDER.....	60-12	3E11	COMPRESSOR HOSES .....	90-82
2B8	BRAKE LINES (LOWER) .....	60-6	3E5	COMPRESSOR MOUNTING .....	90-76
2B10	BRAKE LINES (UPPER) .....	60-8	3E9	COMPRESSOR PARTS .....	90-80
2B4	BRAKE PEDALS.....	60-2	4B16	CONCAVE.....	120-10
2B6	BRAKE VALVE.....	60-4	4B18	CONCAVE - SUSPENSION .....	120-12
<b>C</b>					
3C21	CAB ATTACHING PARTS .....	90-42	3C11	CONCAVE ADJUSTMENT INDICATOR .....	90-30
3D24	CAB FAN .....	90-70	3C9	CONCAVE AND BRAKE LEVERS .....	90-28
3E1	CAB FAN .....	90-72	3E20	CONDENSER AND MOUNTING .....	90-92
3D1	CAB MOUNTING AND CYLINDERS.....	90-46	3E17	CONDENSER FAN, FRONT .....	90-88
3D3	CAB MOUNTING AND CYLINDERS.....	90-48	3E18	CONDENSER FAN, REAR .....	90-90
3D13	CAB ROOF .....	90-58	1C3	CONNECTING ROD.....	20-24
3D20	CAB ROOF AIR FILTER .....	90-66	3C7	CONTROL LEVER - CUTTING PLATFORM/ HYDRAULIC REVERSER .....	90-26
			3C18	CONTROL LEVER, CYLINDER SPEED .....	90-39
			2D20	CONTROL VALVE FITTINGS, MAIN.....	70-16
			2D18	CONTROL VALVE KIT, MAIN .....	70-14
			2D16	CONTROL VALVE POPPETS, MAIN .....	70-12
			4I9	CONTROL VALVE, DIAL-A-MATIC .....	140-8
			2D14	CONTROL VALVE, MAIN.....	70-10
			4F16	CONVEYOR CHAIN, CLEAN GRAIN ELEVATOR .....	130-8
			1D2	COUNTERSHAFT FOR ROTARY RADIATOR SCREEN ...	20-50
			4E20	COUNTERSHAFT, STRAW CHOPPER .....	120-92
			2F7	COUPLER, CUTTING PLATFORM .....	70-56

# 1A15

4425 COMBINE

## ALPHABETICAL INDEX - CONTINUED

GRID	PAGE	GRID	PAGE
3C20	COVER PLATE, OPERATOR'S PLATFORM .....	90-41	
1B13	COVER,ROCKER ARM .....	20-9	
1B23	COVER,TIMING GEAR.....	20-19	
1B24	COVER,TIMING GEAR.....	20-20	
3D15	COVERS, CAB .....	90-60	
4G20	COVERS, INNER UNLOADING AUGER.....	130-38	
1B25	CRANKSHAFT BEARINGS .....	20-21	
1C5	CRANKSHAFT PULLEY.....	20-26	
4D20	CURTAIN .....	120-66	
2E19	CUTTING PLATFORM PRESSURE INDICATOR HOSE ....	70-42	
2F7	CUTTING PLATFORM, COUPLER .....	70-56	
4B9	CYLINDER ACCESS DOOR .....	120-2	
1B8	CYLINDER BLOCK.....	20-4	
1B9	CYLINDER BLOCK.....	20-5	
1B14	CYLINDER HEAD.....	20-10	
3C18	CYLINDER SPEED CONTROL LEVER.....	90-39	
4C12	CYLINDER SPEED SENDING UNIT.....	120-32	
2C9	CYLINDER STEERING.....	60-32	
2B14	CYLINDER, BRAKE .....	60-12	
2C7	CYLINDER, STEERING .....	60-30	
3D1	CYLINDERS, CAB .....	90-46	
3D3	CYLINDERS, CAB .....	90-48	
<b>D</b>			
4J24	DECALS .....	150-35	
4J23	DECALS, ENGINE SECTION .....	150-34	
4J13	DECALS, LEFT HAND .....	150-24	
4J11	DECALS, LEFT-HAND .....	150-22	
4J15	DECALS, LEFT-HAND .....	150-26	
4J19	DECALS, OPERATOR'S PLATFORM .....	150-30	
4J21	DECALS, OPERATOR'S PLATFORM .....	150-32	
4J17	DECALS, REAR .....	150-28	
4J5	DECALS, RIGHT HAND.....	150-16	
4J7	DECALS, RIGHT-HAND .....	150-18	
4J9	DECALS, RIGHT-HAND .....	150-20	
4E22	DEFLECTOR STORAGE RETAINERS, STRAW CHOPPER .....	120-94	
4E16	DEFLECTOR, STRAW CHOPPER .....	120-88	
4I9	DIAL-A-MATIC CONTROL VALVE.....	140-8	
4I11	DIAL-A-MATIC DROP RATE VALVE.....	140-10	
4I12	DIAL-A-MATIC DROP RATE VALVE KIT .....	140-11	
4I3	DIAL-A-MATIC ELECTRICAL PARTS .....	140-2	
4I7	DIAL-A-MATIC HYDRAULIC LINES .....	140-6	
4I5	DIAL-A-MATIC MECHANICAL PARTS .....	140-4	
1K7	DIFFERENTIAL.....	50-30	
1B10	DIPSTICK .....	20-6	
2B12	DISK BRAKES FOOT BRAKES.....	60-10	
2B15	DISK BRAKES HANDBRAKE .....	60-14	
1F22	DISTRIBUTOR BOX .....	40-16	
4E14	DISTRIBUTOR, STRAW CHOPPER .....	120-86	
1I10	DOME LIGHT .....	40-78	
1I11	DOME LIGHT .....	40-79	
3D5	DOOR HANDLE, CAB .....	90-50	
4G17	DOOR, ACCESS, GRAIN TANK .....	130-34	
1D4	DRAINING ENGINE OIL, ENGINE BREATHER .....	20-52	
4I17	DRIVE BELTS, LEFT-HAND SIDE .....	150-4	
4I19	DRIVE BELTS, LEFT-HAND SIDE .....	150-6	
4I20	DRIVE BELTS, LEFT-HAND SIDE .....	150-7	
4I21	DRIVE BELTS, LEFT-HAND SIDE .....	150-8	
4I22	DRIVE BELTS, LEFT-HAND SIDE .....	150-9	
4I15	DRIVE BELTS, RIGHT-HAND SIDE .....	150-2	
4G3	DRIVE IDLER, TAILINGS AUGER .....	130-20	
4G5	DRIVE IDLER, TAILINGS AUGER .....	130-22	
4E18	DRIVE IDLERS, STRAW CHOPPER.....	120-90	
4H21	DRIVE LINKAGE, UNLOADING AUGER .....	130-66	
1J21	DRIVE SHEAVE, CLUTCH HOUSING .....	50-18	
4E23	DRIVE SHIELD, STRAW CHOPPER.....	120-95	
1K13	DRIVE WHEEL AXLE AND EXTENSION .....	50-36	
1K15	DRIVE WHEELS.....	50-38	
4C10	DRIVE, BEATER.....	120-30	
2D10	DRIVE, MAIN HYDRAULIC PUMP .....	70-6	
4E3	DRIVE, SLIP CLUTCH STRAW WALKER .....	120-74	
3E24	DRIVE, SUCTION FAN .....	90-96	
4G7	DRIVE, TAILINGS ELEVATOR .....	130-24	
4G9	DRIVE, TAILINGS ELEVATOR .....	130-26	
4H15	DRIVE, UNIVERSAL, OUTER UNLOADING AUGER.....	130-60	
4H17	DRIVE, UNIVERSAL, OUTER UNLOADING AUGER.....	130-62	
4H3	DRIVE, UNLOADING, GRAIN TANK.....	130-47	
4H4	DRIVE, UNLOADING, GRAIN TANK.....	130-48	
4H8	DRIVES, PADDLE, INNER UNLOADING AUGER .....	130-52	
4I12	DROP RATE VALVE KIT, DIAL-A-MATIC.....	140-11	
4I11	DROP RATE VALVE, DIAL-A-MATIC .....	140-10	
<b>E</b>			
1F18	ELECTRICAL CONNECTIONS ENGINE .....	40-12	
1F21	ELECTRICAL FUEL INJECTION PUMP SHUT-OFF CABLE .....	40-15	
1E9	ELECTRICAL FUEL TRANSFER PUMP .....	30-22	
4I3	ELECTRICAL PARTS, DIAL-A-MATIC .....	140-2	
4F18	ELEVATOR DRIVE, CLEAN GRAIN .....	130-10	
4F14	ELEVATOR HOUSING, CLEAN GRAIN, LOWER .....	130-6	
4F16	ELEVATOR, CLEAN GRAIN, CONVEYOR CHAIN .....	130-8	
4F20	ELEVATOR, CLEAN GRAIN, UPPER .....	130-12	
4F22	ELEVATOR, TAILINGS.....	130-14	
4G7	ELEVATOR, TAILINGS, DRIVE .....	130-24	
4G9	ELEVATOR, TAILINGS, DRIVE .....	130-26	
1C21	ENGINE - MOUNTING PARTS .....	20-43	
1D4	ENGINE BREATHER AND DRAINING ENGINE OIL .....	20-52	
2G7	ENGINE COMPARTMENT FLOOR SHEETS .....	80-22	
2H13	ENGINE COMPARTMENT SHEETS .....	80-52	
2H11	ENGINE COMPARTMENT SHEETS MOUNTING .....	80-50	
1C20	ENGINE COOLANT HEATER .....	20-42	
1C18	ENGINE GASKET SET .....	20-40	
4J23	ENGINE SECTION DECALS .....	150-34	
1D6	ENGINE SUPPORT .....	20-54	
1F16	ENGINE WIRING HARNESS.....	40-10	
1F18	ENGINE, ELECTRICAL CONNECTIONS .....	40-12	
1F20	ETHER COLD WEATHER STARTING AID CABLE .....	40-14	
3E2	EVAPORATOR / HEATER CORE .....	90-73	
1E5	EXHAUST EJECTOR AND PIPE.....	30-18	
1D14	EXHAUST MANIFOLD .....	30-3	
1K13	EXTENSION, DRIVE WHEEL AXLE .....	50-36	
4D19	EXTENSION, STRAW WALKER .....	120-65	
<b>F</b>			
1C11	FAN AND BELTS, WATER PUMP .....	20-32	
4D3	FAN HOUSING.....	120-48	
4D5	FAN SHAFT AND BLADES .....	120-50	
3F23	FEEDER CONVEYOR CHAIN.....	110-18	
3G15	FEEDER CONVEYOR DRIVE .....	110-34	
3F21	FEEDER CONVEYOR DRUM .....	110-16	
3F9	FEEDER CONVEYOR HOUSING .....	110-2	
3F11	FEEDER CONVEYOR RETURN SHIELDS.....	110-4	
3F14	FEEDER HOUSE FRONT SHIELD .....	110-9	
3F12	FEEDER HOUSE FRONT SHIELD AND BOTTOM SHEET .....	110-6	
2G15	FEEDER HOUSE GUARDS.....	80-30	





# 1A18

4425 COMBINE

## ALPHABETICAL INDEX - CONTINUED

GRID		PAGE	GRID		PAGE
1G5	OPERATOR'S PLATFORM WIRING HARNESS.....	40-24	2F20	REAR HOOD .....	80-10
1G7	OPERATOR'S PLATFORM WIRING HARNESS.....	40-26	2F24	REAR HOOD LOWER SHEETS .....	80-14
3C14	OPERATOR'S PLATFORM, OPERATING CABLES.....	90-34	2G1	REAR HOOD RAILING.....	80-16
3B8	OPERATOR'S PLATFORM .....	90-2	2F22	REAR HOOD, REINFORCEMENTS .....	80-12
3B16	OPERATOR'S SEAT .....	90-11	2G5	REAR SERVICE PLATFORM LADDER .....	80-20
4H11	OUTER UNLOADING AUGER AND HOUSING .....	130-56	3B23	REAR VIEW MIRROR .....	90-18
4H13	OUTER UNLOADING AUGER AND HOUSING .....	130-58	2C21	REAR WHEELS .....	60-44
4H10	OUTER UNLOADING AUGER HOUSING GUARDS .....	130-55	3E13	RECEIVER - DRYER AND HOSES .....	90-84
4H15	OUTER UNLOADING AUGER UNIVERSAL DRIVE.....	130-60	4B24	REDUCTION TRANSMISSION, VARIABLE CYLINDER SHEAVES .....	120-18
4H17	OUTER UNLOADING AUGER UNIVERSAL DRIVE.....	130-62	2E23	REEL DRIVE FITTINGS AND HYDRAULIC RESERVOIR.....	70-46
<b>P</b>			1I5	REEL DRIVE HARNESS .....	40-72
4H8	PADDLE DRIVES, INNER UNLOADING AUGER.....	130-52	2E21	REEL DRIVE HYDRAULIC PUMP.....	70-44
4H6	PADDLE, GRAIN TANK .....	130-50	2E22	REEL DRIVE HYDRAULIC PUMP, GASKET SET .....	70-45
3D19	PANEL, AIR OUTLET.....	90-64	2E12	REEL LIFT HYDRAULIC HOSE .....	70-34
3E9	PARTS, COMPRESSOR .....	90-80	2E10	REEL LIFT, HYDRAULIC LINES .....	70-32
2B4	PEDALS, BRAKE .....	60-2	2F22	REINFORCEMENTS, REAR HOOD .....	80-12
1B22	PICK UP,MAGNETIC .....	20-18	1G4	RELAY PLUG SOCKET .....	40-23
1C3	PISTON.....	20-24	1E12	REPAIR-SET, FUEL PRE-FILTER.....	30-26
3G17	PLATFORM ADAPTER PLATES .....	110-36	1B15	RETAINERS .....	20-11
2H15	PLUGGED CYLINDER TOOL .....	80-54	4C20	RETURN PAN WITH SIEVES .....	120-40
2D16	POPPETS, MAIN CONTROL VALVE .....	70-12	3F11	RETURN SHIELDS, FEEDER CONVEYOR .....	110-4
4B22	POSI TORQ VARIABLE CYLINDER SHEAVES .....	120-16	2E1	REVERSE DRIVE HYDRAULIC LINES.....	70-22
1J7	POSI-TORQ COUNTERSHAFT AND ARM (UPPER UNIT) .....	50-4	2D22	REVERSE DRIVE HYDRAULIC MOTOR .....	70-18
1J11	POSI-TORQ SHEAVES (LOWER UNIT).....	50-8	2D24	REVERSE DRIVE HYDRAULIC MOTOR .....	70-20
1J9	POSI-TORQ SHEAVES (UPPER UNIT) .....	50-6	4J5	RIGHT-HAND DECALS .....	150-16
1J5	POSI-TORQ SUPPORTS (UPPER UNIT).....	50-2	4J7	RIGHT-HAND DECALS .....	150-18
1E10	PRE-FILTER, FUEL .....	30-24	4J9	RIGHT-HAND DECALS .....	150-20
1D24	PRECLEANER AND AIR INTAKE TUBES .....	30-13	1B16	ROCKER ARM .....	20-12
2E19	PRESSURE INDICATOR HOSE, CUTTING PLATFORM .....	70-42	1B13	ROCKER ARM COVER .....	20-9
1A2	PRIMARY PICTORIAL INDEX .....	10-1	1B16	ROCKER ARM SHAFT.....	20-12
1A3	PRIMARY PICTORIAL INDEX .....	10-2	1C24	ROTARY RADIATOR SCREEN .....	20-46
1A4	PRIMARY PICTORIAL INDEX .....	10-3	1D2	ROTARY RADIATOR SCREEN, COUNTERSHAFT .....	20-50
1A5	PRIMARY PICTORIAL INDEX .....	10-4	1D1	ROTARY RADIATOR SCREEN, SUCTION NOZZLE .....	20-48
1A6	PRIMARY PICTORIAL INDEX .....	10-5	4E8	ROTOR, STRAW CHOPPER.....	120-80
1A7	PRIMARY PICTORIAL INDEX .....	10-6	<b>S</b>		
1D8	PULLEY, MOTOR.....	20-56	2B23	SEAL KIT, STEERING PUMP .....	60-22
1C6	PULLEY,AUXILIARY.....	20-27	3B16	SEAT .....	90-11
1C5	PULLEY,CRANKSHAFT .....	20-26	3B21	SEAT ADJUSTMENT .....	90-16
1D19	PUMP, FUEL TRANSFER (SOFABEX).....	30-8	3B17	SEAT CUSHIONS.....	90-12
1D17	PUMP, FUEL TRANSFER "CORONA" .....	30-6	3B19	SEAT MOUNTING .....	90-14
1D18	PUMP, FUEL TRANSFER "SOFABEX".....	30-7	3B15	SEAT SUPPORT .....	90-10
1D20	PUMP, FUEL TRANSFER(REPLACEMENT) .....	30-9	1B3	SECTIONAL PICTORIAL INDEX .....	20-A01
1E9	PUMP, FUEL TRANSFER, ELECTRICAL .....	30-22	1B4	SECTIONAL PICTORIAL INDEX .....	20-A02
1C7	PUMP, OIL .....	20-28	1B5	SECTIONAL PICTORIAL INDEX .....	20-A03
1D21	PUMP,FUEL INJECTION .....	30-10	1D11	SECTIONAL PICTORIAL INDEX .....	30-A02
1B16	PUSH RODS.....	20-12	1D12	SECTIONAL PICTORIAL INDEX .....	30-A03
<b>R</b>			1F3	SECTIONAL PICTORIAL INDEX .....	40-A01
1C22	RADIATOR .....	20-44	1F4	SECTIONAL PICTORIAL INDEX .....	40-A02
1C24	RADIATOR SCREEN, ROTARY .....	20-46	1F5	SECTIONAL PICTORIAL INDEX .....	40-A03
1I8	RADIO AND SPEAKERS MOUNTING PARTS.....	40-76	1F6	SECTIONAL PICTORIAL INDEX .....	40-A04
1I6	RADIO WIRING HARNESS .....	40-74	1F7	SECTIONAL PICTORIAL INDEX .....	40-A05
4B13	RASP BAR CYLINDER .....	120-6	1J2	SECTIONAL PICTORIAL INDEX .....	50-A01
4B15	RASP BAR CYLINDER SHAFT .....	120-9	1J3	SECTIONAL PICTORIAL INDEX .....	50-A02
2C15	REAR AXLE .....	60-38	1J4	SECTIONAL PICTORIAL INDEX .....	50-A03
2C13	REAR AXLE FRAME AND SUPPORT .....	60-36	2B2	SECTIONAL PICTORIAL INDEX .....	60-A02
2C17	REAR AXLE SPINDLES.....	60-40	2B3	SECTIONAL PICTORIAL INDEX .....	60-A03
2C11	REAR AXLE, AXLE SUPPORT AND V-SUPPORT .....	60-34	2D3	SECTIONAL PICTORIAL INDEX .....	70-A02
3E18	REAR CONDENSER FAN .....	90-90	2D4	SECTIONAL PICTORIAL INDEX .....	70-A03
4J17	REAR DECALS.....	150-28	2D5	SECTIONAL PICTORIAL INDEX .....	70-A04
			2F9	SECTIONAL PICTORIAL INDEX .....	80-A02
			2F10	SECTIONAL PICTORIAL INDEX .....	80-A03
			2F11	SECTIONAL PICTORIAL INDEX .....	80-A04

# 1A19

4425 COMBINE

## ALPHABETICAL INDEX - CONTINUED

GRID	PAGE	GRID	PAGE
3B3	SECTIONAL PICTORIAL INDEX .....	90-A02	
3B4	SECTIONAL PICTORIAL INDEX .....	90-A03	
3B5	SECTIONAL PICTORIAL INDEX .....	90-A04	
3B6	SECTIONAL PICTORIAL INDEX .....	90-A05	
3B7	SECTIONAL PICTORIAL INDEX .....	90-A06	
3F6	SECTIONAL PICTORIAL INDEX .....	110-A01	
3F7	SECTIONAL PICTORIAL INDEX .....	110-A02	
3F8	SECTIONAL PICTORIAL INDEX .....	110-A03	
4B3	SECTIONAL PICTORIAL INDEX .....	120-A02	
4B4	SECTIONAL PICTORIAL INDEX .....	120-A03	
4B5	SECTIONAL PICTORIAL INDEX .....	120-A04	
4B6	SECTIONAL PICTORIAL INDEX .....	120-A05	
4B7	SECTIONAL PICTORIAL INDEX .....	120-A06	
4B8	SECTIONAL PICTORIAL INDEX .....	120-A07	
4F8	SECTIONAL PICTORIAL INDEX .....	130-A02	
4F9	SECTIONAL PICTORIAL INDEX .....	130-A03	
4I2	SECTIONAL PICTORIAL INDEX .....	140-A01	
4I4	SECTIONAL PICTORIAL INDEX .....	150-A01	
4C12	SENDING UNIT, CYLINDER SPEED .....	120-32	
1H4	SENSOR, GROUND SPEED INDICATOR .....	40-47	
1H21	SENSORS, HARVESTRAK .....	40-64	
4C8	SEPARATOR DRIVE IDLER .....	120-28	
4C6	SEPARATOR DRIVE IDLER ARM .....	120-26	
2H7	SEPARATOR MIDDLE SHIELD, RIGHT-HAND .....	80-46	
2G13	SEPARATOR SHIELD, LEFT-HAND REAR .....	80-28	
2H9	SEPARATOR SHIELD, RIGHT-HAND LOWER .....	80-48	
2H1	SEPARATOR SHIELDS - UPPER, LEFT-HAND .....	80-40	
2G3	SERVICE PLATFORM, REAR, RIGHT-HAND .....	80-18	
1C18	SET, GASKET .....	20-40	
1B18	SHACKLES .....	20-14	
4B15	SHAFT, RASP BAR CYLINDER .....	120-9	
4G13	SHEETS, GRAIN TANK .....	130-30	
4E5	SHEETS, STRAW CHOPPER .....	120-76	
3F14	SHIELD, FRONT, FEEDER HOUSE .....	110-9	
3C1	SHIFT CONSOLE AND COVERS, RIGHT-HAND .....	90-20	
3C3	SHIFT CONSOLE, LEFT-HAND .....	90-22	
4D1	SHOE CRANK AND PITMAN .....	120-46	
4C22	SHOE SUSPENSION, CLEANING .....	120-42	
1B6	SHORT BLOCK ASSEMBLY .....	20-2	
2F18	SIDE SHEETS, LEFT-HAND .....	80-8	
2F16	SIDE SHEETS, RIGHT-HAND .....	80-6	
4C20	SIEVES, RETURN PAN .....	120-40	
4E3	SLIP CLUTCH - STRAW WALKER DRIVE .....	120-74	
3D7	SOUNDPROOFING, CAB .....	90-52	
3C19	SOUNDPROOFING, OPERATOR'S PLATFORM .....	90-40	
2C17	SPINDLES, REAR AXLE .....	60-40	
1B15	SPRINGS .....	20-11	
3F19	SPROCKETS, FEEDER HOUSE UPPER SHEAVE .....	110-14	
1F10	STARTING MOTOR .....	40-4	
2B17	STEERING COLUMN .....	60-16	
2C7	STEERING CYLINDER .....	60-30	
2C9	STEERING CYLINDER .....	60-32	
2C3	STEERING LINES AND HOSES (FRONT) .....	60-26	
2C5	STEERING LINES AND HOSES (REAR) .....	60-28	
2B21	STEERING PUMP, INDIVIDUAL PARTS .....	60-20	
2C1	STEERING PUMP, INDIVIDUAL PARTS .....	60-24	
2B23	STEERING PUMP, SEAL KIT .....	60-22	
2B19	STEERING SHAFT .....	60-18	
2C19	STEERING TIE RODS .....	60-42	
4B11	STONE TRAP .....	120-4	
4E7	STRAW CHOPPER BLADES AND SUPPORT .....	120-78	
4E20	STRAW CHOPPER COUNTERSHAFT .....	120-92	
4E16	STRAW CHOPPER DEFLECTOR .....	120-88	
4E22	STRAW CHOPPER DEFLECTOR STORAGE RETAINERS .....	120-94	
4E14	STRAW CHOPPER DISTRIBUTOR .....	120-86	
4E18	STRAW CHOPPER DRIVE IDLERS .....	120-90	
4E23	STRAW CHOPPER DRIVE SHIELD .....	120-95	
4E10	STRAW CHOPPER FRAME .....	120-82	
4E12	STRAW CHOPPER REINFORCEMENT .....	120-84	
4E8	STRAW CHOPPER ROTOR AND KNIVES .....	120-80	
4E5	STRAW CHOPPER SHEETS .....	120-76	
1H17	STRAW CHOPPER, LOW SHAFT SPEED CONTROL SWITCHES .....	40-60	
4F1	STRAW SPREADER BLADES .....	120-98	
4E24	STRAW SPREADER DRIVE .....	120-96	
4F5	STRAW SPREADER GUARD (RIGHT-HAND) .....	120-102	
4F3	STRAW SPREADER GUARDS (LEFT-HAND) .....	120-100	
4D15	STRAW WALKER .....	120-60	
4D17	STRAW WALKER .....	120-62	
4D22	STRAW WALKER CRANKSHAFT, FRONT .....	120-68	
4D24	STRAW WALKER CRANKSHAFT, REAR .....	120-70	
4E1	STRAW WALKER DRIVE .....	120-72	
4D19	STRAW WALKER EXTENSION, STRAW CHOPPER .....	120-65	
1H5	STRAW WALKER WARNING SYSTEM .....	40-48	
3E24	SUCTION FAN DRIVE .....	90-96	
3E22	SUCTION FAN DRIVE, AIR CONDITIONING .....	90-94	
1D1	SUCTION NOZZLE FOR ROTARY RADIATOR SCREEN .....	20-48	
2F14	SUPPORT, FRONT AXLE .....	80-4	
4H22	SUPPORT, LOWER, UNLOADING AUGER .....	130-67	
4E7	SUPPORT, STRAW CHOPPER .....	120-78	
4B18	SUSPENSION, CONCAVE .....	120-12	
4C1	SUSPENSION, VARIABLE CYLINDER .....	120-20	

### T

1G11	TAIL LIGHTS AND WARNING LIGHTS .....	40-30
4G3	TAILINGS AUGER DRIVE IDLER .....	130-20
4G5	TAILINGS AUGER DRIVE IDLER .....	130-22
4F22	TAILINGS ELEVATOR .....	130-14
4F24	TAILINGS ELEVATOR CHAIN .....	130-16
4G7	TAILINGS ELEVATOR DRIVE .....	130-24
4G9	TAILINGS ELEVATOR DRIVE .....	130-26
1B16	TAPPETS .....	20-12
1C17	THERMOSTAT .....	20-39
1C17	THERMOSTAT HOUSING .....	20-39
1E16	THROTTLE LINKAGE .....	30-30
2C19	TIE RODS, STEERING .....	60-42
1B23	TIMING GEAR COVER .....	20-19
1B24	TIMING GEAR COVER .....	20-20
2F15	TOOL BOX WITH SUPPORT .....	80-5
2H15	TOOL, PLUGGED CYLINDER .....	80-54
2H16	TOOLS .....	80-55
1J19	TRANSMISSION BRAKE .....	50-16
1K3	TRANSMISSION CASE .....	50-26
1K5	TRANSMISSION GEARS .....	50-28
2F12	TRAVERSE BRACKET AND SUPPORTS .....	80-2
1B12	TUBE, VENT .....	20-8

### U

1C1	UNDERSIZE CRANKSHAFT AND BEARING KIT .....	20-22
4G18	UNLOADING AUGER COVERS, INNER .....	130-36
4H21	UNLOADING AUGER DRIVE LINKAGE .....	130-66
4H10	UNLOADING AUGER HOUSING GUARDS, OUTER .....	130-55
2E15	UNLOADING AUGER HYDRAULIC LINES .....	70-38
4H22	UNLOADING AUGER LOWER SUPPORT .....	130-67
3C16	UNLOADING AUGER SWING CONTROL LINKAGE .....	90-36
2E3	UNLOADING AUGER SWING HYDRAULIC CYLINDER .....	70-24
4H19	UNLOADING AUGER SWING HYDRAULIC CYLINDER MOUNTING .....	130-64

# 1A20

4425 COMBINE

## ALPHABETICAL INDEX - CONTINUED

<i>GRID</i>		<i>PAGE</i>	<i>GRID</i>	<i>PAGE</i>
4G22	UNLOADING AUGER, INNER, GRAIN TANK .....	130-40		
4H13	UNLOADING AUGER, OUTER, AND HOUSING .....	130-58		
4H11	UNLOADING AUGER, OUTER, HOUSING.....	130-56		
4H15	UNLOADING AUGER, OUTER, UNIVERSAL DRIVE.....	130-60		
4H17	UNLOADING AUGER, OUTER, UNIVERSAL DRIVE.....	130-62		
4H3	UNLOADING DRIVE, GRAIN TANK .....	130-47		
4H4	UNLOADING DRIVE, GRAIN TANK .....	130-48		
4F20	UPPER CLEAN GRAIN ELEVATOR .....	130-12		
4D7	UPPER FAN VARIABLE DRIVE SUPPORT .....	120-52		
4D9	UPPER FAN VARIABLE SHEAVES .....	120-54		
2G17	UPPER TAILINGS ELEVATOR GUARD .....	80-32		
V				
1B15	VALVE SEATS .....	20-11		
1B15	VALVES .....	20-11		
4B22	VARIABLE CYLINDER SHEAVES, POSI TORQ .....	120-16		
4B24	VARIABLE CYLINDER SHEAVES, REDUCTION TRANSMISSION.....	120-18		
4C1	VARIABLE CYLINDER SUSPENSION .....	120-20		
4D7	VARIABLE DRIVE SUPPORT, UPPER FAN .....	120-52		
4C4	VARIABLE DRIVE WITH CENTER OIL SUPPLY FOR BEATER.....	120-24		
2E17	VARIABLE DRIVE WITH CENTER OIL SUPPLY FOR BEATER HYDRAULIC LINE .....	70-40		
4D11	VARIABLE SHEAVES, LOWER FAN .....	120-56		
4D9	VARIABLE SHEAVES, UPPER FAN .....	120-54		
1B12	VENT TUBE .....	20-8		
3D5	VISOR AND DOOR HANDLE .....	90-50		
W				
1G11	WARNING LIGHTS AND TAIL LIGHTS .....	40-30		
1H5	WARNING SYSTEM, STRAW WALKER.....	40-48		
1C17	WATER MANIFOLD .....	20-39		
1C11	WATER PUMP, FAN AND BELTS .....	20-32		
1K15	WHEELS, DRIVE .....	50-38		
4G15	WINDOWS, GRAIN TANK .....	130-32		
1I14	WINDSHIELD WIPERS .....	40-82		
1I14	WIPERS, WINDSHIELD .....	40-82		
1H11	WIRING HARNESS .....	40-54		
1H3	WIRING HARNESS - INSTRUMENT PANEL .....	40-46		
1G13	WIRING HARNESS, BASIC .....	40-32		
1G15	WIRING HARNESS, BASIC .....	40-34		
1G17	WIRING HARNESS, BASIC .....	40-36		
1G19	WIRING HARNESS, BASIC .....	40-38		
1G21	WIRING HARNESS, BASIC .....	40-40		
1G23	WIRING HARNESS, BASIC .....	40-42		
1F16	WIRING HARNESS, ENGINE .....	40-10		
1H7	WIRING HARNESS, LOW SHAFT SPEED MONITOR (LEFT-HAND) .....	40-50		
1H9	WIRING HARNESS, LOW SHAFT SPEED MONITOR AND HARVESTRAK (RIGHT-HAND) .....	40-52		
1G5	WIRING HARNESS, OPERATOR'S PLATFORM .....	40-24		
1G7	WIRING HARNESS, OPERATOR'S PLATFORM .....	40-26		
1I6	WIRING HARNESS, RADIO.....	40-74		
1H23	WIRING HARNESSES, HARVESTRAK.....	40-66		
1I12	WIRING, CAB ROOF .....	40-80		

---

MEMORANDA







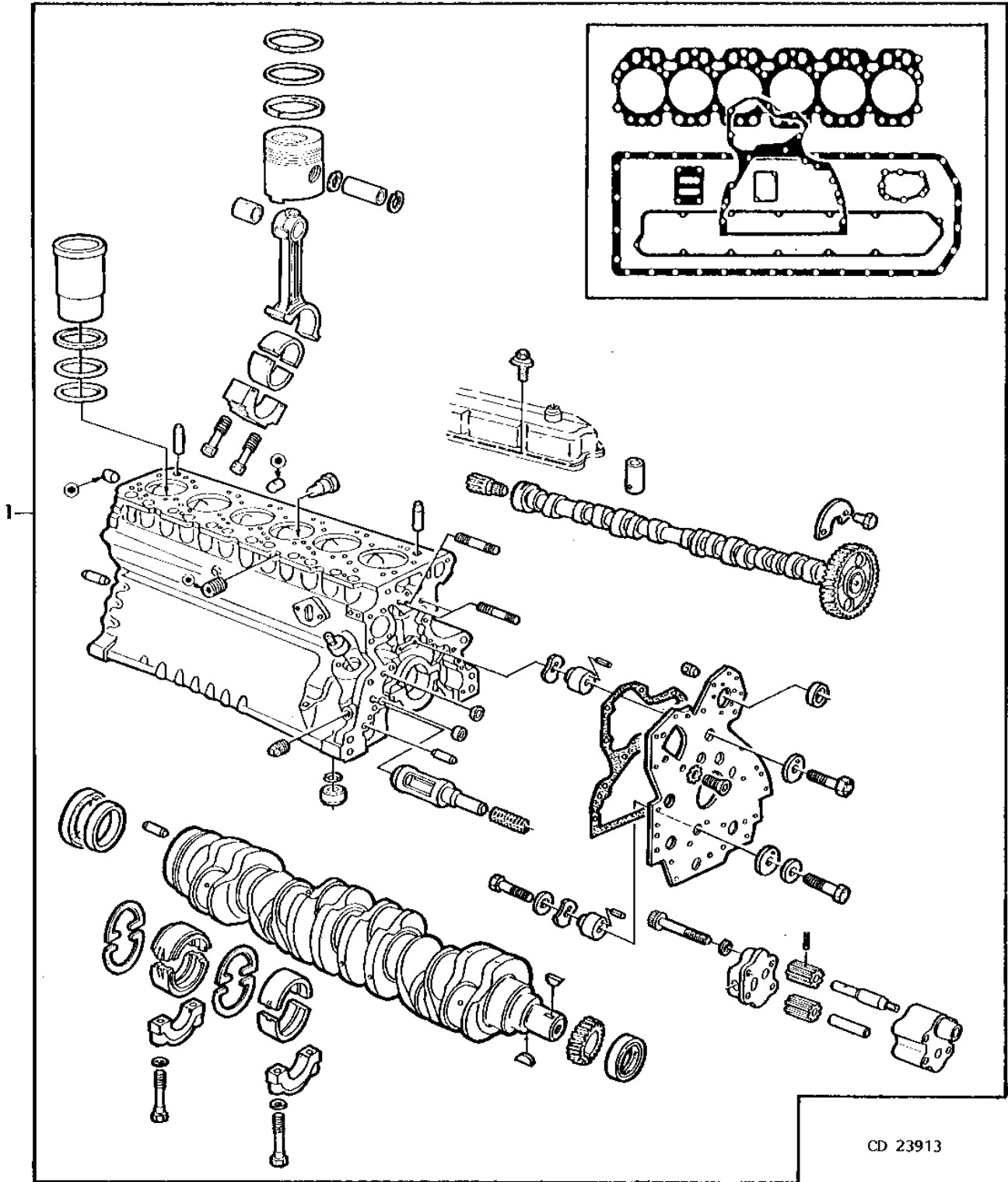
# 1B6

ENGINE

CD23913

-UN-01JAN94

## SHORT BLOCK ASSEMBLY



# 1B7

ENGINE

---

## SHORT BLOCK ASSEMBLY - CONTINUED

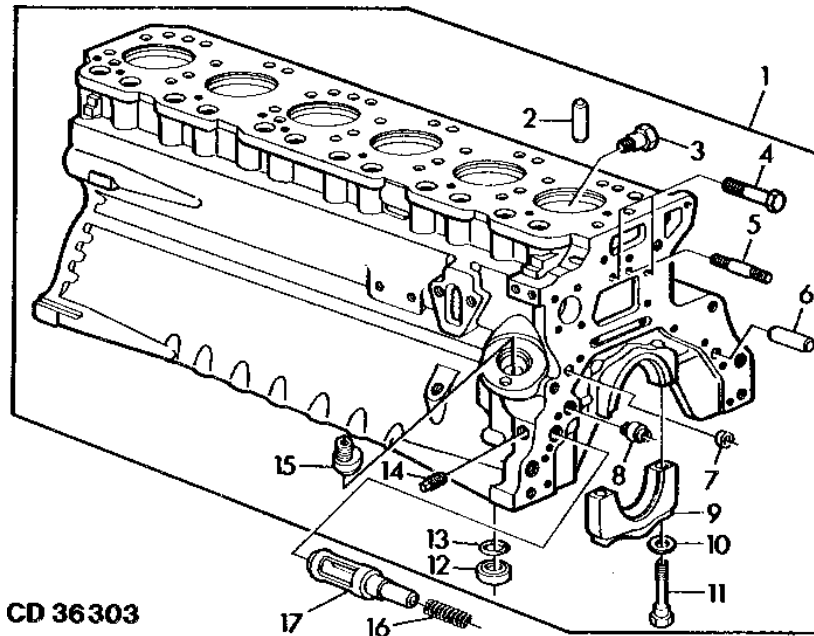
KEY	PART NO.	PART NAME	QTY	ENGINE SERIAL NO.	REMARKS
1	RE16816	SHORT BLOCK ASSEMBLY	1	-686038	(MARKED R75891) (ORDER RE25569 AND (26)
	RE25569	SHORT BLOCK ASSEMBLY	1	686039-	R85363 CYLINDER HEAD CAP SCREWS) (MARKED R80725)

# 1B8

ENGINE

CD36303 -UN-01JAN94

## CYLINDER BLOCK (FRONT AND R.H. VIEW)



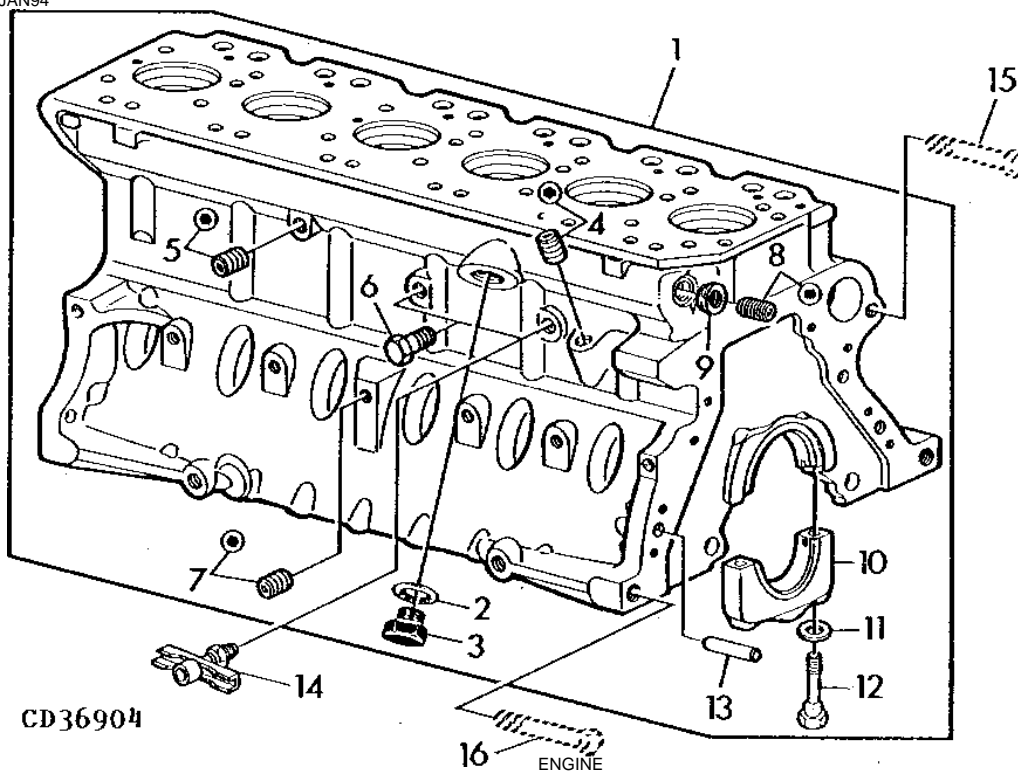
KEY	PART NO.	PART NAME	QTY	ENGINE SERIAL NO.	REMARKS
1	AR102254	CYLINDER BLOCK	1	-686038	(MARKED R75891) ORDER RE25591 AND (26) R85363
	RE25591	CYLINDER BLOCK	1	686039-	CYLINDER HEAD CAP SCREWS (MARKED R80725)
2	A120R	DOWEL PIN	2		LOW
	A120R	DOWEL PIN	2		(SUB FOR R26241, THIS APPLICATION) UP
3	R54802	ORIFICE	6		
4	T33279	STUD	2	-707591	3/8"-16UNC X 2.680"
	R84984	STUD	2	707592-831968	3/8"-24UNF X 2.677"
	19H1726	CAP SCREW	2	831969-	3/8" X 2-1/4"
5	T25701	STUD	1	-729358	3/8"-16UNC X 2.190"
	R82674	STUD	1	729359-	3/8"-24UNF X 1.969"
6	A4879R	DOWEL PIN	2		
7	T18891	CAP	1		
8	R26493	BUSHING	1		
9	R65215	BEARING CAP	6		
10	T20168	WASHER	12		
11	T23474	CAP SCREW	12		
12	R75893	FITTING	1		
13	R75892	O-RING	1		
14	15H255	PIPE PLUG	1	3/8"	
15	T23435	THREADED NIPPLE	1		
16	R46625	SPRING	1		
17	R73139	VALVE	1		

# 1B9

ENGINE

CD36904 -UN-01JAN94

## CYLINDER BLOCK (REAR AND L.H. VIEW)



CD36904

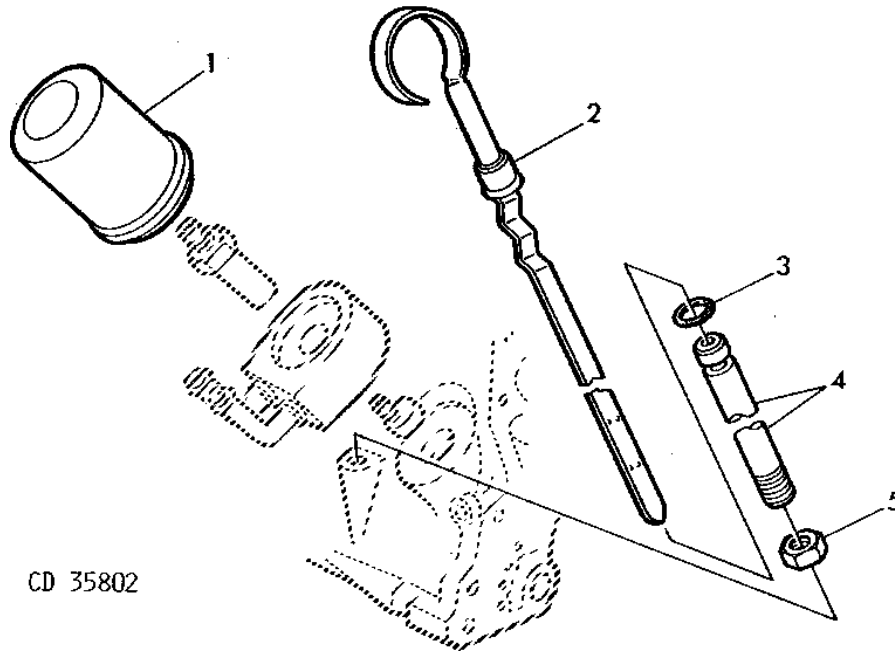
KEY	PART NO.	PART NAME	QTY	ENGINE SERIAL NO.	REMARKS
1	AR102254	CYLINDER BLOCK	1	-686038	(MARKED R75891) ORDER RE25591 AND (26)R85363
	RE25591	CYLINDER BLOCK	1	686039-	CYLINDER HEAD CAP SCREWS (MARKED R80725)
2	U13639	O-RING	1		
3	R92159	DRAIN PLUG	1		(SUB FOR R39741, THIS APPLICATION)
4	15H624	PIPE PLUG	AR		1/2"
5	15H275	PIPE PLUG	1		1/4"
6	R55233	PIPE PLUG	2		1/4"
7	15H558	PIPE PLUG	6	740778-	1/8"
8	15H665	PIPE PLUG	1	-851316	3/4"
	15H562	PIPE PLUG	1	851317-	1"
9	15H616	PIPE BUSHING	1	-851316	3/4"
	L62675	ADAPTER	AR		1"X 3/4"
10	R79089	CAP	1		
11	T20168	WASHER	2		
12	T23474	CAP SCREW	2		
13	A120R	DOWEL PIN	2		
14	AT13740	DRAIN VALVE	AR		
15	.....	CAP SCREW	2		5/8"-11UNC, UP
16	.....	CAP SCREW	2		5/8"-11UNC, LOW

# 1B10

ENGINE

CD35802 -UN-01JAN94

## OIL FILTER AND DIPSTICK



CD 35802

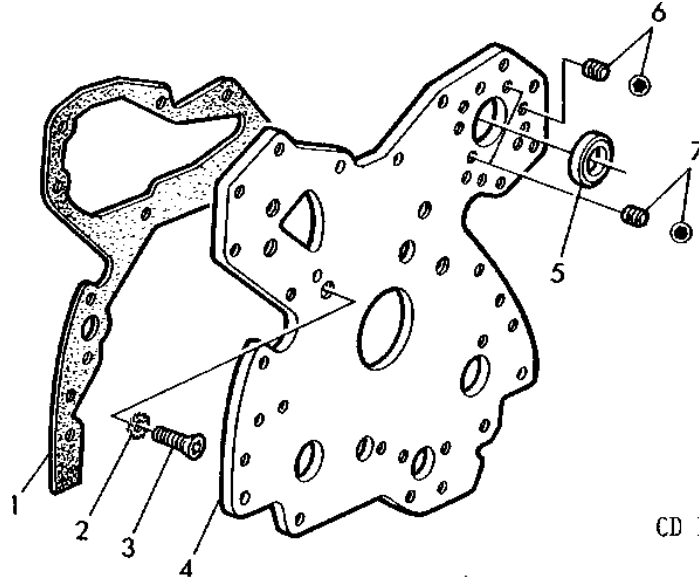
KEY	PART NO.	PART NAME	QTY	ENGINE SERIAL NO.	REMARKS
1	T19044	OIL FILTER	1		
2	RE24826	DIPSTICK	1		LGTH=494MM (19.44")
3	R10093	O-RING	1		
4	R49824	DIPSTICK TUBE	1		LGTH=290MM (11.41")
5	14H826	NUT	1		1/2"

# 1B11

ENGINE

CD35803 -UN-01JAN94

FRONT PLATE



CD 35803

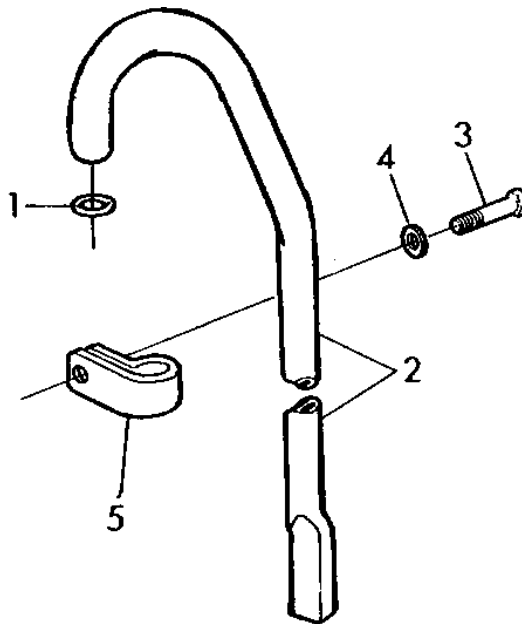
KEY	PART NO.	PART NAME	QTY	ENGINE SERIAL NO.	REMARKS
1	R90648	GASKET	1		(SUB FOR R73140)
2	12H324	WASHER	5		3/8"
3	T20166	SCREW	5		
4	RE16149	PLATE	1		INCL.KEY 5, (SUB FOR R79863, THIS APPLICATION) ALSO ORDER (8)AT21191 AND (2)AT22919
5	R79854	WASHER	AR		
6	AT21191	SET SCREW	8		5/16" X 0.380"
7	AT22919	SET SCREW	2		3/8" X 0.380"

# 1B12

ENGINE

CD36500 -UN-01JAN94

## VENT TUBE



CD 36500

KEY	PART NO.	PART NAME	QTY	ENGINE SERIAL NO.	REMARKS
1	R56463	O-RING	1		
2	T20074	TUBE	1		
3	19H1813	CAP SCREW	1	5/16" X 5/8"	
4	24H1685	WASHER	1	11/32" X 47/64" X 0.083"	
5	R40791	CLAMP	1		